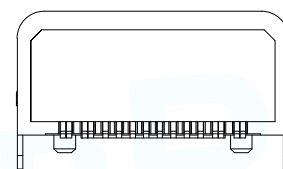
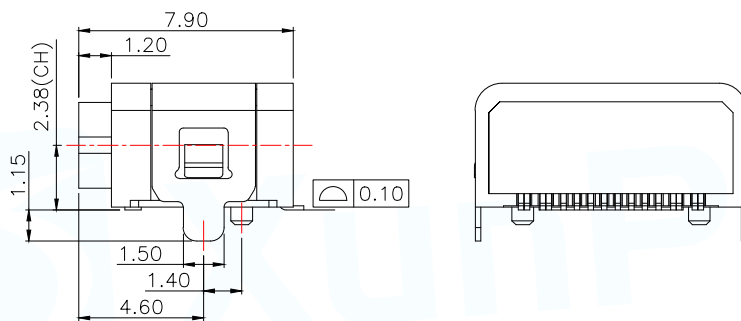
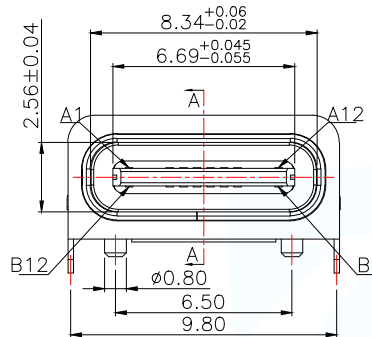
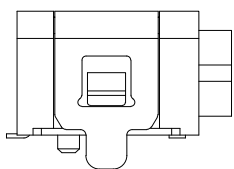


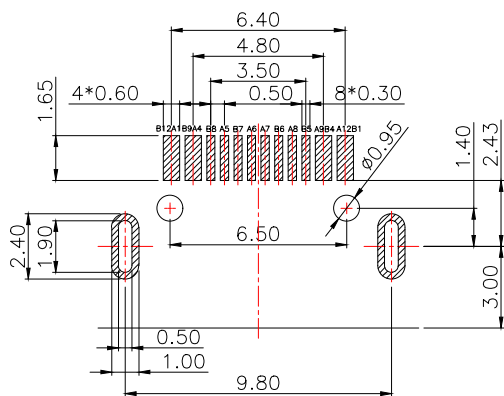
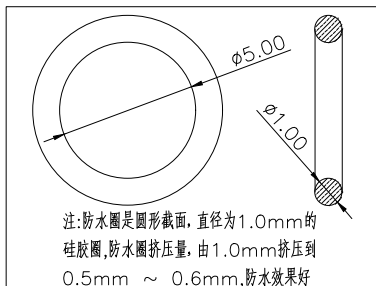
SECTION A-A

SPECIFICATION:

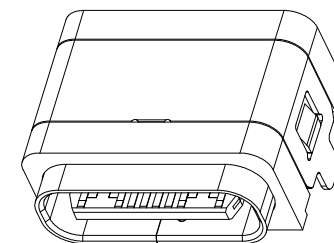
- Material:
  - HOUSING&MOLDING: HIGH TEMPERATURE RESISTANT PLASTIC, UL94 V-0
  - CONTACTS: COPPER ALLOY T=0.15mm
  - IDDL CLIP: SUS301-1/2H, T=0.15mm
  - SHELL-1: SUS304, T=0.30mm
  - SHELL-2: SUS304, T=0.20mm
- Mechanical:
  - 2.1. Mating force: 0.5~2.0kgf.
  - 2.2. UNMATING FORCE: 0.8~2.0kgf.
  - 2.3. Durability: 10000 Cycles;
- Electrical:
  - 3.1. Current Rating: 3A Max.;
  - 3.2. Voltage Rating: 20V Max.;
  - 3.3. Dielectric Withstanding voltage: 100VAc;
  - 3.4. Contact resistance: 40m Ohms Max.;
  - 3.5. Insulation Resistance: 100M Ohms Min.;
- Environmental:
  - 4.1. Operating temperature: -40°C~+85°C;
  - 4.2. Wetting Temperature: 265±5°C, 5±0.5s



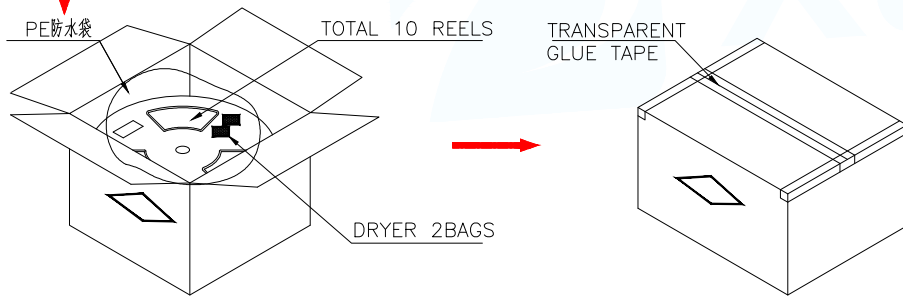
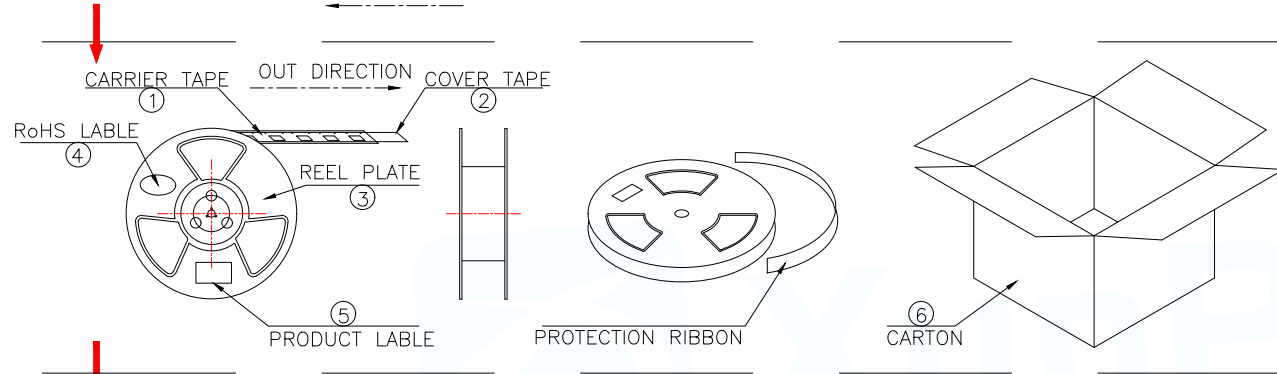
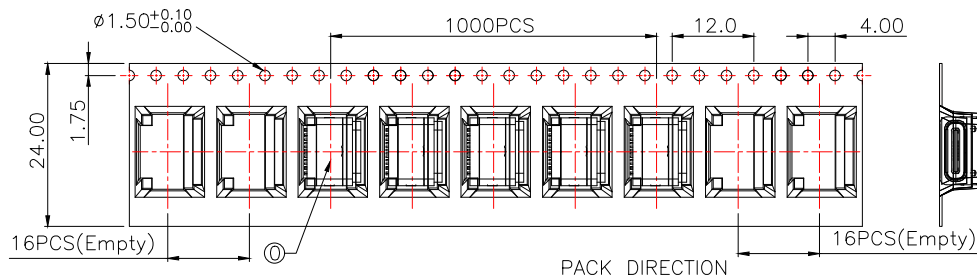
| PIN DEFINE TABLE |        |     |        |
|------------------|--------|-----|--------|
| PIN              | SIGNAL | PIN | SIGNAL |
| A12              | GND    | B1  | GND    |
| A11              |        | B2  |        |
| A10              |        | B3  |        |
| A9               | VBUS   | B4  | VBUS   |
| A8               | SBU1   | B5  | CC2    |
| A7               | D-     | B6  | D+     |
| A6               | D+     | B7  | D-     |
| A5               | CC1    | B8  | SBU2   |
| A4               | VBUS   | B9  | VBUS   |
| A3               |        | B10 |        |
| A2               |        | B11 |        |
| A1               | GND    | B12 | GND    |



RECOMMENDED P.C.B. LAYOUT (T:1.0~1.2mm)  
TOLERANCE UNSPECIFIED ±0.05mm

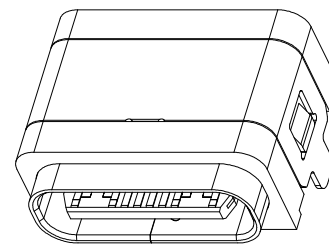


|                                       |             |                                                     |                                  |
|---------------------------------------|-------------|-----------------------------------------------------|----------------------------------|
| MANUFACTURE DWG                       |             | 东莞市讯普电子科技有限公司<br>DongGuan XunPu Electronics Co.,Ltd |                                  |
| UNLESS OTHERWISE SPECIFIED TOLERANCES |             |                                                     | TITLE:<br>TYPE-C 16pin母座板上型 两脚插板 |
|                                       |             |                                                     | PAR<br>TYPEC-301Y-ACP16X7        |
| DECIMALS:                             | ANGLES:     |                                                     | DWN                              |
| .X:±0.35                              | .X':±3.0°   |                                                     | CHKD                             |
| .XX:±0.25                             | .XX':±2.5°  | APVD                                                | SCALE:1:1                        |
| .XXX:±0.15                            | .XXX':±2.0° | CUSTOMER COPY                                       | UNIT:MM                          |
|                                       |             | SIZE:A4                                             | SHEET:1F1                        |
|                                       |             |                                                     | REV:A                            |



说明:

1. 每卷前后各空16PCS,尾部用美纹胶纸封住;
2. 将产品放满盘后,再卷一圈保护带,用美纹胶纸将其封住,并贴上1Pcs物料标签;
3. 每10卷盘一叠共10000Pcs并装入1个外箱内;
4. 在搬运过程中要轻拿轻放;
5. 在运输中不可堆放过多(1.8M最高),不可重压;
6. 跌落测试条件:  
成品箱从1.2米高度自由落体(一角三棱六面):  
a. 产品不可跑出下带凹槽;  
b. 产品不可有摔伤,变形;  
c. 内包装材料不可严重破损.



| NO. | NAME              | SPEC            | Q'TY            |
|-----|-------------------|-----------------|-----------------|
| ①   | TYPE C RECEPTACLE |                 | 10000PCS/CARTON |
| ①   | CARRIER TAPE      | W=24mm,T=0.35mm | 1000PCS/PLATE   |
| ②   | COVER TAPE        | W=21.5mm        | 10PLATES/CARTON |
| ③   | REEL PLATE        | φ330*100*24.4mm | 10PCS/CARTON    |
| ④   | RoHS LABEL        |                 | 10PCS/CARTON    |
| ⑤   | PRODUCT LABELER   |                 | 10PCS/CARTON    |
| ⑥   | CARTON            | 350*340*310mm   | 1PCS/PACKAGE    |

|                                       |             |                                                     |                                  |
|---------------------------------------|-------------|-----------------------------------------------------|----------------------------------|
| MANUFACTURE DWG                       |             | 东莞市讯普电子科技有限公司<br>DongGuan XunPu Electronics Co.,Ltd |                                  |
| UNLESS OTHERWISE SPECIFIED TOLERANCES |             |                                                     | TITLE:<br>TYPE-C 16pin母座板上型 两脚插板 |
|                                       |             |                                                     | PAR TYPEC-301E-ACP16X7           |
| DECIMALS:                             | ANGLES:     |                                                     | DWN                              |
| .X:±0.35                              | .X':±3.0°   |                                                     | CHKD                             |
| .XX:±0.25                             | .XX':±2.5°  | APVD                                                |                                  |
| .XXX:±0.15                            | .XXX':±2.0° | CUSTOMER COPY                                       | SCALE 1:1 UNIT:MM                |
|                                       |             | SIZE:A4                                             | UNIT:MM                          |
|                                       |             | SHEET:1F1                                           | REV:A                            |