

C8	RESERVED
C7	I/O
C6	VPP
C5	GND
C4	RESERVED
C3	CLK
C2	RST
C1	VCC
PIN NO.	PIN NAME

### Specification

**MATERIAL:**

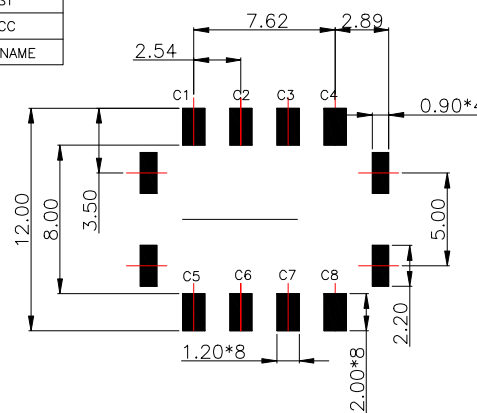
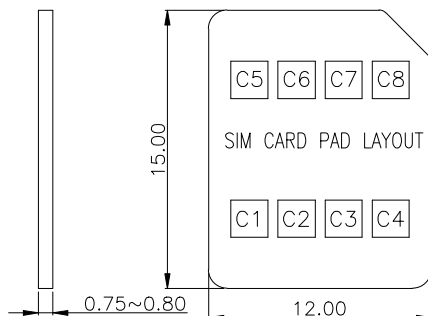
Insulator: High Temperature Thermoplastic, UL 94V-0.  
 Contact: C5210  
 SHELL: SUS

**PLATING:**

Contact: Plated 50u" Ni Over Contact Au 1u, Pad Au 1u  
 Shell: Plated 50u" Ni Overall, Pad Au 1u

**Electrical:**

Current Rating :0.5mA AC/DC max.  
 Voltage Rating :125V AC/DC  
 Ambient Temperature Range :-40°C~+85°C  
 Storage Temperature Range :-40°C~+85°C  
 Ambient Humidity Range :95% R.H. Max.  
 Contact Resistance:100m Ω max.  
 Insulation Resistance:1000M Ω min./500VDC  
 Mating Cycles:10,000 Insertions  
 Reflow peak temp.:260°C ±5°C, 3~5 S  
 Mating Cycles:5,000 Insertions Min

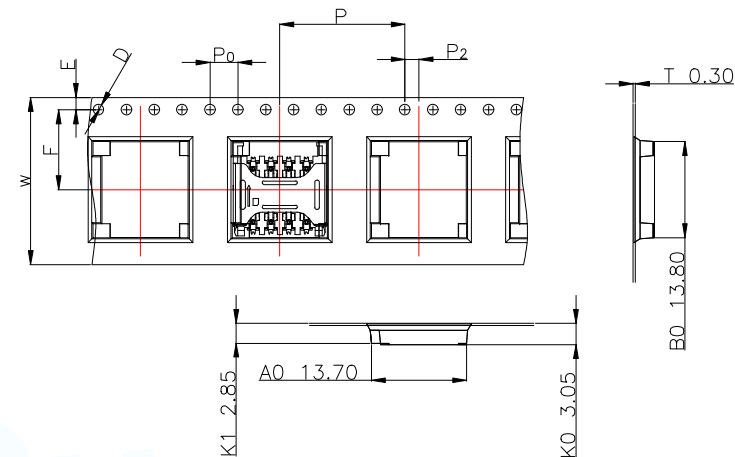


RECOMMENDED PCB LAYOUT  
 GENERAL TOLERANCE ±0.05

MANUFACTURE DWG			东莞市讯普电子科技有限公司 DongGuan XunPu Electronics Co.,Ltd	
UNLESS OTHERWISE SPECIFIED TOLERANCES			TITLE:MICRO SIM NO-PUSH 2.40H 8pin	
DECIMALS:	ANGLES:	PAR	SMC-201-ARP8	
.X:±0.15	X':±2°	DWN		
.XX:±0.10	.X':±1°	CHKD		
.XXX:±0.05	.XX':±0.5°	APVD		
CUSTOMER COPY		SCALE1:1	UNIT:MM	⊕
		SIZE:A4	SHEET:1F1	REV:A

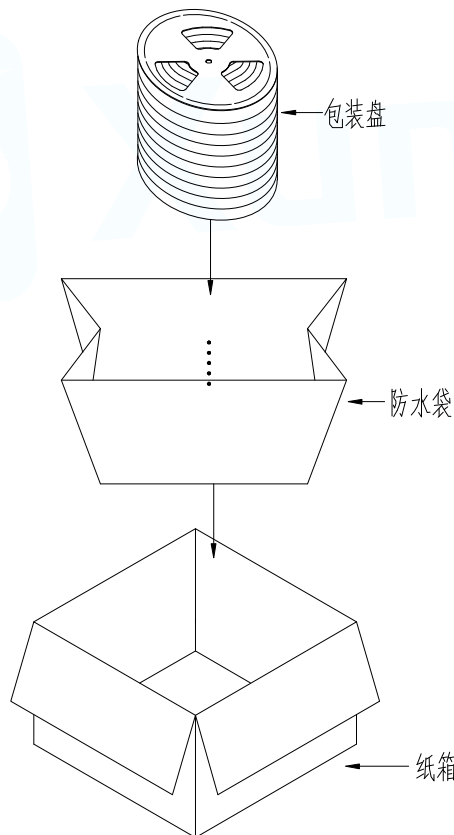
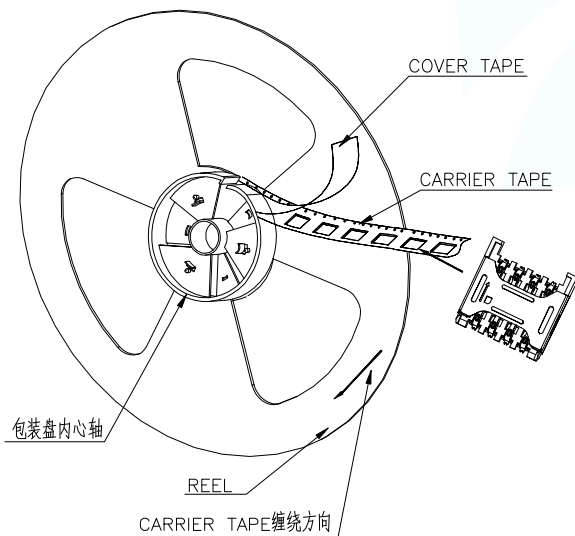
- 一.
1. 将成品一一放入包装盘内, 依同一方向放入.
  2. 包装时, 如图所示.
  3. 一个包装盘放置10000个成品.

- 二.
1. 一只纸箱可放置5个包装盘.
  2. 一只纸箱可放5000PCS的成品/或10000PCS成品.
  3. 将成品放入包装盘内, 包装完后再装箱.



W	24.00	+0.30 -0.30	P	20.00	+0.10 -0.10	A0	13.70	+0.10 -0.10	B0	13.80	+0.10 -0.10
S		+0.10 -0.10	P0	4.00	+0.10 -0.10	A1		+0.10 -0.10	B1		+0.10 -0.10
E	1.75	+0.10 -0.10	P2	2.00	+0.10 -0.10	A2		+0.10 -0.10	B2		+0.10 -0.10
F	11.50	+0.10 -0.10	D0	∅1.50	+0.10 -0.00	K0	3.05	+0.10 -0.10			
T	0.30	+0.05 -0.05	D1		+0.10 -0.10	K1		+0.10 -0.10			

产品单重:0.5g  
 每盘单重:800g  
 每箱单重:4300g(5000PCS)  
 纸箱规格1:350\*350\*315(10000PCS每箱)  
 纸箱规格2:350\*350\*155(5000PCS每箱)



MANUFACTURE DWG			东莞市讯普电子科技有限公司 DongGuan XunPu Electronics Co.,Ltd	
UNLESS OTHERWISE SPECIFIED TOLERANCES			TITLE:MICRO SIM NO-PUSH 2.40H 8pin	
DECIMALS:	ANGLES:	PAR	SMC-201-ARP8	
.X:±0.15	.X':±2°	DWN		
.XX:±0.10	.X':±1°	CHKD		
.XXX:±0.05	.XX':±0.5°	APVD		
CUSTOMER COPY		SCALE1:1	UNIT:MM	REV:A
		SIZE:A4	SHEET:1F1	