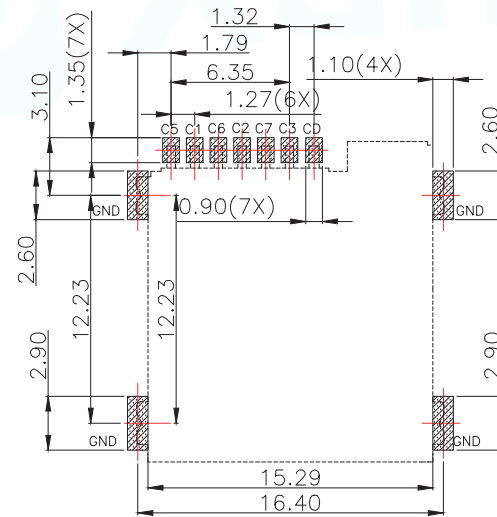
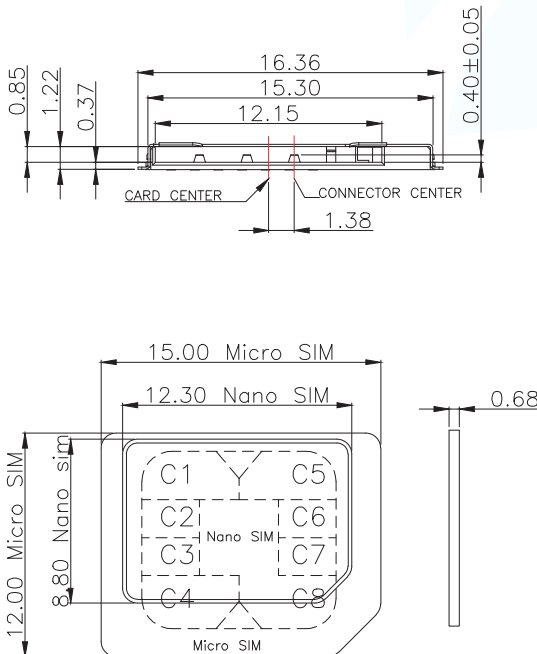


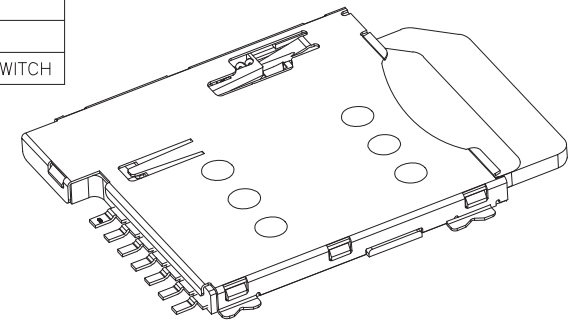
MATERIAL:  
 INSULATOR: HIGH TEMPERATURE THERMOPLASTIC, UL 94V-0  
 CONTACT: COPPER ALLOY  
 SHELL: SUS

PLATING:  
 CONTACT: PLATED 50U" NI OVER ALL CONTACT AU 1U  
 SHELL: PLATED 50U" NI OVERALL  
 PLATED 1U" AU SELECTIVE CONTACT AREA

ELECTRICAL:  
 CURRENT RATING: 0.5AMPS MAX  
 VOLTAGE RATING: 5V AC/DC  
 AMBIENT TEMPERATURE RANGE: -40°C ~ +85°C  
 STORAGE TEMPERATURE RANGE: -40°C ~ +85°C  
 AMBIENT HUMIDITY RANGE: 95% R.H. MAX.  
 CONTACT RESISTANCE: 100M MAX. Ω  
 INSULATION RESISTANCE: 1000M MIN./500VDC Ω  
 REFLOW PEAK TEMP: 260°C  
 MATING CYCLES: 5000MIN INSERTIONS



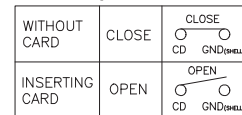
MICRO SIM CARD	
Pin No.	NAME
C1	VCC OF SIM
C2	RST OF SIM
C3	CLK OF SIM
C5	GND OF SIM
C6	VPP OF SIM
C7	I/O OF SIM
C4/C8	N/A
CD	DETECTION SWITCH



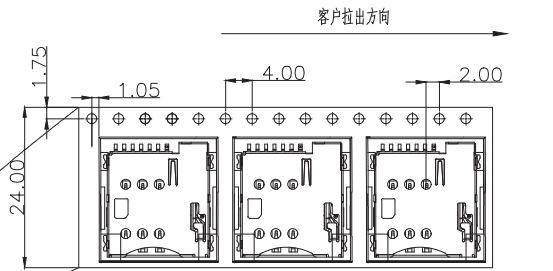
▨ PAD AREA  
 ■ KEEP OUT AREA

RECOMMENDED PCB LAYOUT  
 GENERAL TOLERANCE ±0.05

Circuit Diagram for Detect Switch

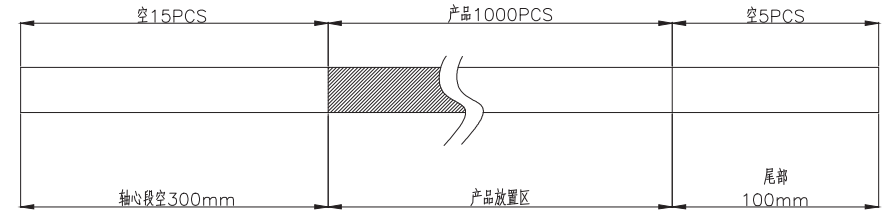


MANUFACTURE DWG		东莞市讯普电子科技有限公司 DongGuan XunPu Electronics Co.,Ltd	
UNLESS OTHERWISE SPECIFIED TOLERANCES			TITLE: MICRO SIM CARD PUSH 6+1PIN H1.35
DECIMALS: X.X:±0.15			PAR SMC-202-ARP7
X.XX:±0.10			DWN
X.XXX:±0.05			CHKD
ANGLES: ±1°		APVD	UNIT: MM
		SCALE: 1:1	SIZE: A4
		CUSTOMER COPY	SHEET: 1F1
			REV: A



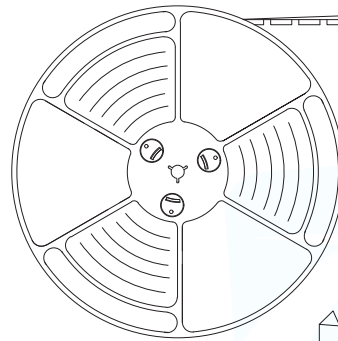
NOTES

1. 每卷包装数量: 1000PCS/每卷
2. 卷带包装方式:



3. 每箱包装数量: 10000PCS/箱

4. 纸箱350mm\*350mm\*440mm(内箱尺寸), 材质K=K

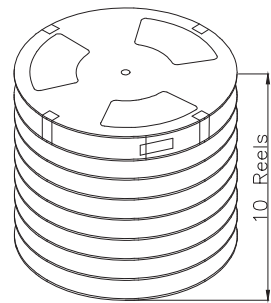


纸箱底部和顶部各垫一块珍珠棉

护角

纸箱

封箱胶带



外箱标签贴示位置

将10卷产品放入箱内

MANUFACTURE DWG		东莞市讯普电子科技有限公司 DongGuan XunPu Electronics Co.,Ltd		
UNLESS OTHERWISE SPECIFIED TOLERANCES			TITLE: MICRO SIM CARD PUSH PUSH 7PIN H1.35 包装图	
DECIMALS:	ANGLES: $\pm 1^\circ$		PAR	SMC-202-ARP7
X.X: $\pm 0.15$			DWN	
X.XX: $\pm 0.10$			CHKD	
X.XXX: $\pm 0.05$		APVD		
		SCALE: 1:1	UNIT: MM	
		CUSTOMER COPY	SIZE: A4	
			SHEET: 1F1	
			REV: A	