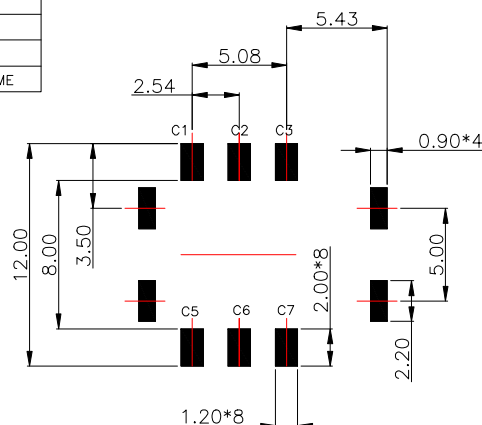
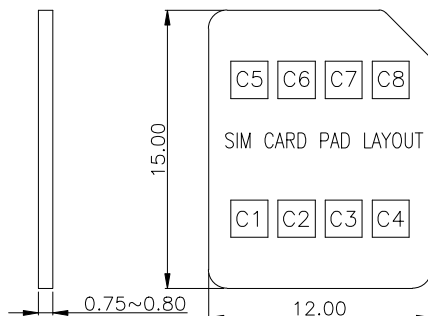


C8	RESERVED
C7	I/O
C6	VPP
C5	GND
C4	RESERVED
C3	CLK
C2	RST
C1	VCC
PIN NO.	PIN NAME



RECOMMENDED PCB LAYOUT
GENERAL TOLERANCE ±0.05

Specification

MATERIAL:

Insulator: High Temperature Thermoplastic, UL 94V-0.
Contact: C5210
SHELL: SUS

PLATING:

Contact: Plated 50u" Ni Over Contact Au 1u, Pad Au 1u
Shell: Plated 50u" Ni Overall, Pad Au 1u

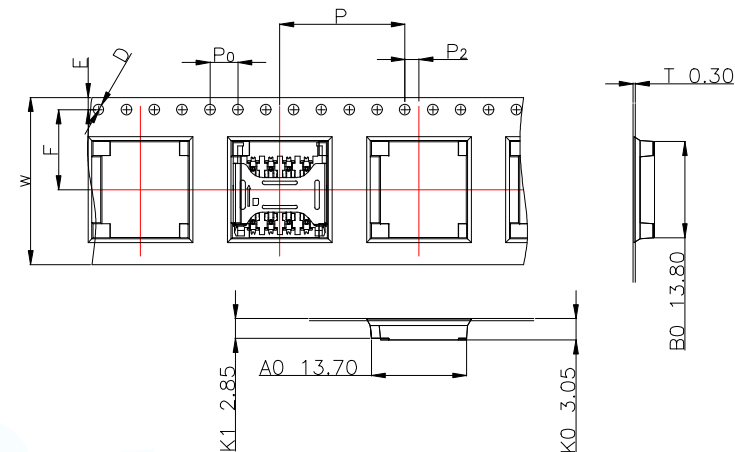
Electrical:

Current Rating :0.5mA AC/DC max.
Voltage Rating :125V AC/DC
Ambient Temperature Range :-40°C~+85°C
Storage Temperature Range :-40°C~+85°C
Ambient Humidity Range :95% R.H. Max.
Contact Resistance:100m Ω max.
Insulation Resistance:1000M Ω min./500VDC
Mating Cycles:10,000 Insertions
Reflow peak temp.:260°C ±5°C, 3~5 S
Mating Cycles:5,000 Insertions Min

MANUFACTURE DWG			 东莞市讯普电子科技有限公司 DongGuan XunPu Electronics Co.,Ltd	
UNLESS OTHERWISE SPECIFIED TOLERANCES			TITLE:MICRO SIM NO-PUSH 2.40H 6pin	
DECIMALS:	ANGLES:	PAR	SMC-201-ARP6	
.X:±0.15	X':±2°	DWN		
.XX:±0.10	.X':±1°	CHKD		
.XXX:±0.05	.XX':±0.5°	APVD		
CUSTOMER COPY		SCALE1:1	UNIT:MM	⊕
		SIZE:A4	SHEET:1F1	REV:A

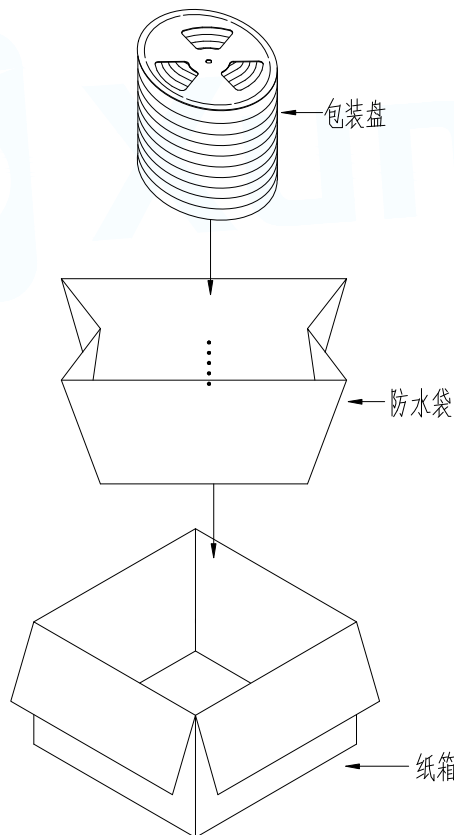
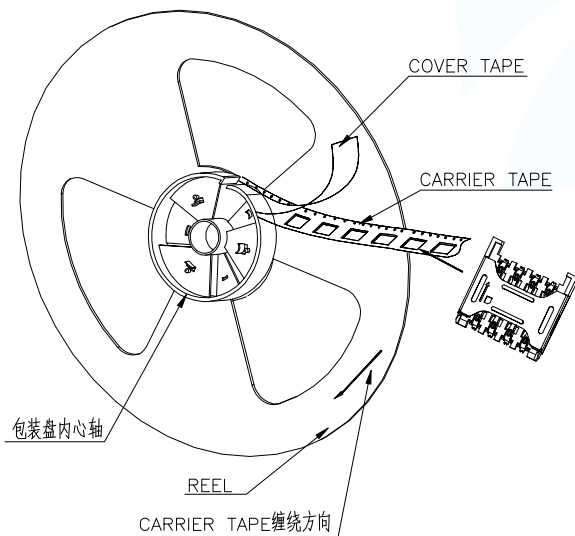
- 一.
- 1.将成品一一放入包装盘内,依同一方向放入.
 - 2.包装时,如图所示.
 - 3.一个包装盘放置10000个成品.

- 二.
- 1.一只纸箱可放置5个包装盘.
 - 2.一只纸箱可放5000PCS的成品/或10000PCS成品.
 - 3.将成品放入包装盘内,包装完后装箱.



W	24.00	+0.30 -0.30	P	20.00	+0.10 -0.10	A0	13.70	+0.10 -0.10	B0	13.80	+0.10 -0.10
S		+0.10 -0.10	P0	4.00	+0.10 -0.10	A1		+0.10 -0.10	B1		+0.10 -0.10
E	1.75	+0.10 -0.10	P2	2.00	+0.10 -0.10	A2		+0.10 -0.10	B2		+0.10 -0.10
F	11.50	+0.10 -0.10	D0	∅1.50	+0.10 -0.00	K0	3.05	+0.10 -0.10			
T	0.30	+0.05 -0.05	D1		+0.10 -0.10	K1		+0.10 -0.10			

产品单重:0.5g
 每盘单重:800g
 每箱单重:4300g(5000PCS)
 纸箱规格1:350*350*315(10000PCS每箱)
 纸箱规格2:350*350*155(5000PCS每箱)



MANUFACTURE DWG			东莞市讯普电子科技有限公司 DongGuan XunPu Electronics Co.,Ltd	
UNLESS OTHERWISE SPECIFIED TOLERANCES			TITLE:MICRO SIM NO-PUSH 2.40H 6pin	
DECIMALS:	ANGLES:	PAR	SMC-201-ARP6	
.X:±0.15	.X':±2°	DWN		
.XX:±0.10	.X':±1°	CHKD		
.XXX:±0.05	.XX':±0.5°	APVD		
CUSTOMER COPY		SCALE1:1	UNIT:MM	
		SIZE:A4	SHEET:1F1	REV:A