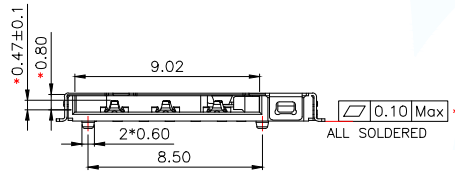
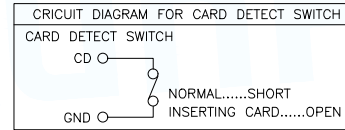


3D VIEW

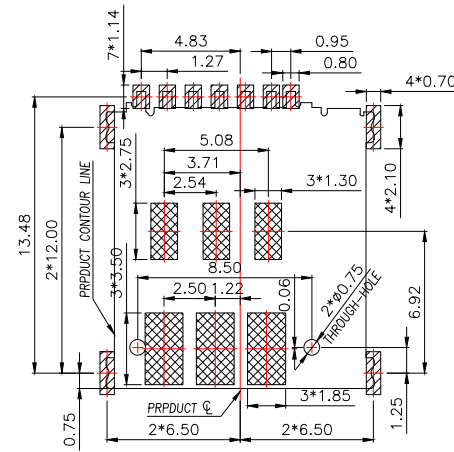
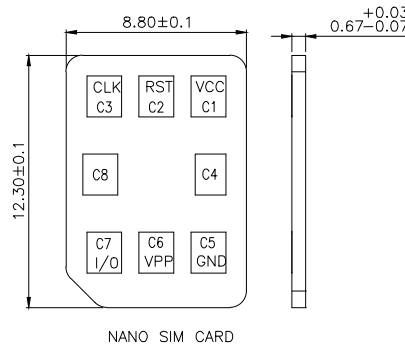


PIN/NO	ASSIGNMENT
C1	VCC
C2	RST
C3	CLK
CD	Detect Switch
C5	GND
C6	VPP
C7	I/O



NOTES:

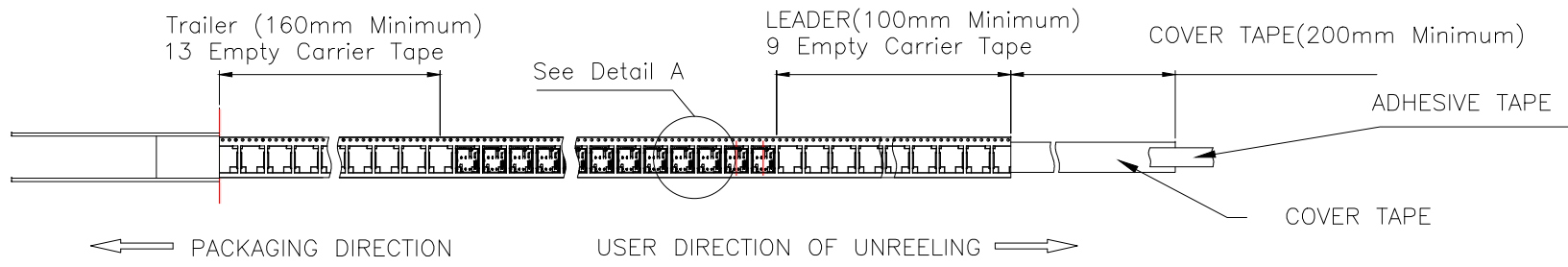
- MATERIAL:
HOUSING: High Temperature Thermoplastic
Terminal: Copper Alloy
Shell: Stainless Steel
- PLATING:
Terminal: 50u" Ni UNDERPLATED OVERALL
G/F PLATED ON CONTACT AREA AND SOLDER AREA
Shell: 30u" Ni UNDERPLATED OVERALL
G/F PLATED ON CONTACT AREA AND SOLDER AREA
- TECHNICAL SPECIALITY:
RATED VOLTAGE: 30V AC MAX.
CURRENT RATING: 0.5A MAX.
INSULATION RESISTANCE: 1000M Ω MIN
CONTACT RESISTANCE: 50m Ω MAX
WITHSTANDING VOLTAGE: 500V AC FOR 1 MINUTES
OPERATING TEMPERATURE:
-40 $^{\circ}$ C~+85 $^{\circ}$ C Humidity 80% R.H MAX
- DIMENSIONS WITH MARK " * " MUST BE MEASURE BY QC AND IPQC



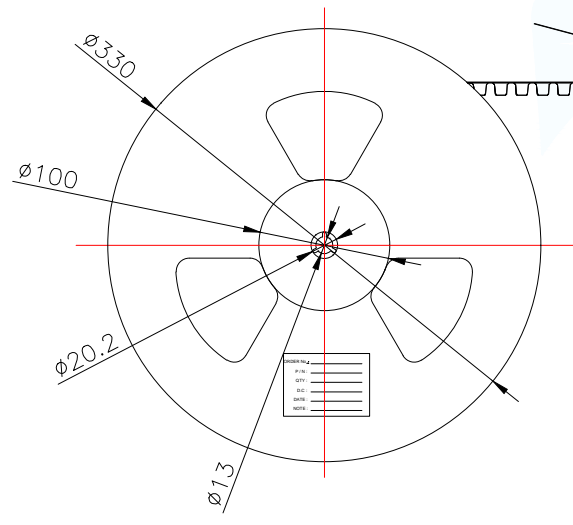
SMT SOLDER AREA
 NO PATTERN AND VIA HOLE IN HTIS AREA

MANUFACTURE DWG		东莞市讯普电子科技有限公司 DongGuan XunPu Electronics Co.,Ltd	
UNLESS OTHERWISE SPECIFIED TOLERANCES			TITLE:NANO SIM CARD 1.37H PUSH PUSH 有桩
			PAR SMN-303-ACP7
DECIMALS:	ANGLES:	DWN	
X.:±0.35	X'.:±2'	CHKD	
.X:±0.15	.X':±1'	APVD	
.XX:±0.10	.XX':±0.5'	SCALE:1:1	UNIT:MM
CUSTOMER COPY		SIZE:A4	SHEET:1F1
			REV:A

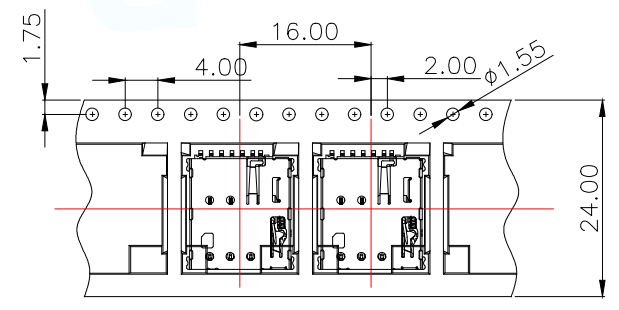
MAPX	MODIFICATION	DATE	DRAW	APPROVE



COVER TAPE PEELING ANGLE: 165°~180°
 PEELING FORCE: 20~130g
 CARRIER TAPE



PACKAGING DIRECTION ← → USER DIRECTION OF UNREELING



DETAIL A

1	SMN-303-ACP7	1500	10		15000	350X350X340
ITEM	PRODUCT NO	QTY/REEL	REEL/CARTON	Kg/CARTON	QTY/CARTON	CARTON SIZE

MANUFACTURE DWG		 东莞市讯普电子科技有限公司 DongGuan XunPu Electronics Co.,Ltd		
UNLESS OTHERWISE SPECIFIED TOLERANCES			TITLE: NANO SIM CARD 1.37H PUSH PUSH 有柱	
			PAR SMN-303-ACP7	
DECIMALS:	ANGLES:		DWN	
X.: ±0.35	X': ±2'		CHKD	
.X: ±0.15	.X': ±1'	APVD		
.XX: ±0.10	.XX': ±0.5'	CUSTOMER COPY	SCALE 1:1 UNIT: MM	
			SIZE: A4 SHEET: 1F1	
			REV: A	